

Field Day

2024

June 22-23, 2024

Jon April

KI5CSK



Objectives

- 1. Have Fun**
- 2. Eat Well**
- 3. Be Safe**
- 4. Operate Radios**
- 5. Learn & Experience**
- 6. ARRL Contest**



Have Fun

- **Participate as you want**
 - All set up, operating, and tear down periods
 - Some set up periods
 - Some part of operating period
 - Some part of tear down period
 - Your mix of set up, operating, and tear down periods
- **Bring equipment**
 - Radios
 - Antennas
 - Cables
 - Whatever mix you want
 - Headphones strongly encouraged
- **Just bring yourself and maybe family and friends**

There is no right or wrong way to participate – just your way!



Eat Well

- **SARC will have Blanco BBQ for supper on Saturday at about 6 p. m.**
 - **At least participate in this supper.**
 - **Family and friends are welcome!**
 - **We invite Shavano Park Police and Fire over**
- **Breakfast tacos & Coffee very early Sunday morning**
- **We will have bottled water on ice. Drink all that you want. We will restock as needed.**



Be Safe

Nothing that we are doing is so important that we can not take time to do it safely.

- **Stay hydrated – drink water w/ electrolytes**
- **Hat, sunblock, sunglasses, cooling-towel**
- **Look for trip hazards**
 - **Cables, guy ropes, stakes, uneven ground, etc.**
 - **There are simply too many to mark**
 - **Have a flashlight for after dark**
- **Drive slowly in the area**
- **Especially for those staying overnight personal fans to keep the mosquitoes off of you (bug spray)**



Operate Radios

- **We have a site/antenna and radio plan.**
- **These are intended to get us going - flexibility.**
- **They include SARC and personal equipment where members have volunteered it in advance.**
- **It is not exclusionary.**
- **You need not commit in advance – just show up with what equipment you want. We will add you in.**
- **We will share equipment between all members and visitors – we want everyone to get on the air.**



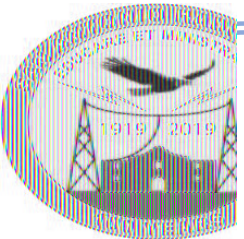
Learn & Experience

- **Set up and tear down can be a learning experience**
 - **Generators, antennas, radios, etc.**
- **We will have various VHF, UHF, and HF radios**
 - **Some similarities, some differences**
- **We will have various antennas**
 - **10M/15M/20M Beam Antenna**
 - **Multi-band Dipoles**
 - **Vertical VHF/UHF antennas**
 - **Where can you get with each?**
- **At least voice mode**



ARRL Contest

- **SARC Policy is to never let the ARRL Contest part interfere with our other objectives**
- **Mostly we just record what we do in the course of accomplishing our other objectives and then report it**
- **Typically, we fall near the middle of our class which is 4A, however this year we are excited to be 6A!**
 - **6 HF Stations operating on emergency power**
 - **VHF/UHF Station is an add on**
 - **GOTA Station is an add on**



Site & Antenna Area Plan



- ANT1 - SARC XCVR
- ANT2 - Harold AE5AS
- ANT3 - UHF/VHF
- ANT4 - Keith KD5JGD
- ANT5 - Jim WJ4M
- ANT6 - TBD
- ANT7 - Mike K5VK
- ANT8 - Jon KI5CSK

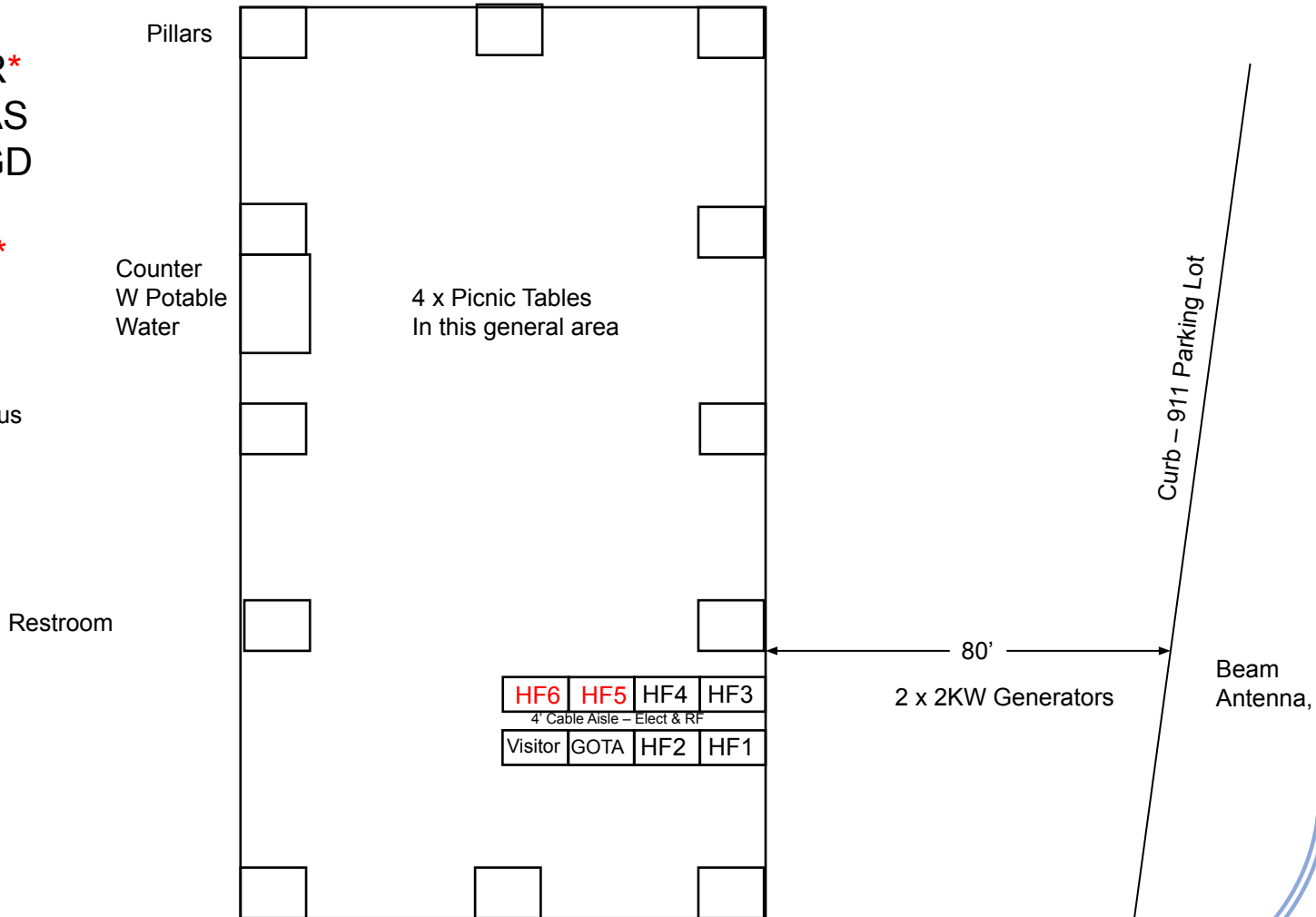




Field Day 2023 Pavilion Layout

- HF1 – SARC XCVR*
- HF2 – Harold AE5AS
- HF3 – Keith KD5JGD
- HF4 – Jim WJ4M
- HF5 – Jon KI5CSK*
- HF6 – Mike K5VK*
- GOTA – TBD

* These stations will have various operators throughout the day.



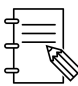


Stations

Tables and chairs will be provided to accommodate the following:

- 6 HF stations
- 1 Get On The Air (GOTA) station
- 1 Visitor information station

HF6	HF5	HF4	HF3
-----	-----	-----	-----

 Visitor Information	GOTA	HF2	HF1
------------------------------------------------------------------------------------------------------------	------	-----	-----

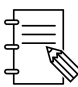


Power Generation

120v power will be provided by two 2000w generators to service the radios and computer equipment.

HF6	HF5	HF4	HF3
-----	-----	-----	-----



 Visitor Information	GOTA	HF2	HF1
------------------------------------------------------------------------------------------------------------	------	-----	-----

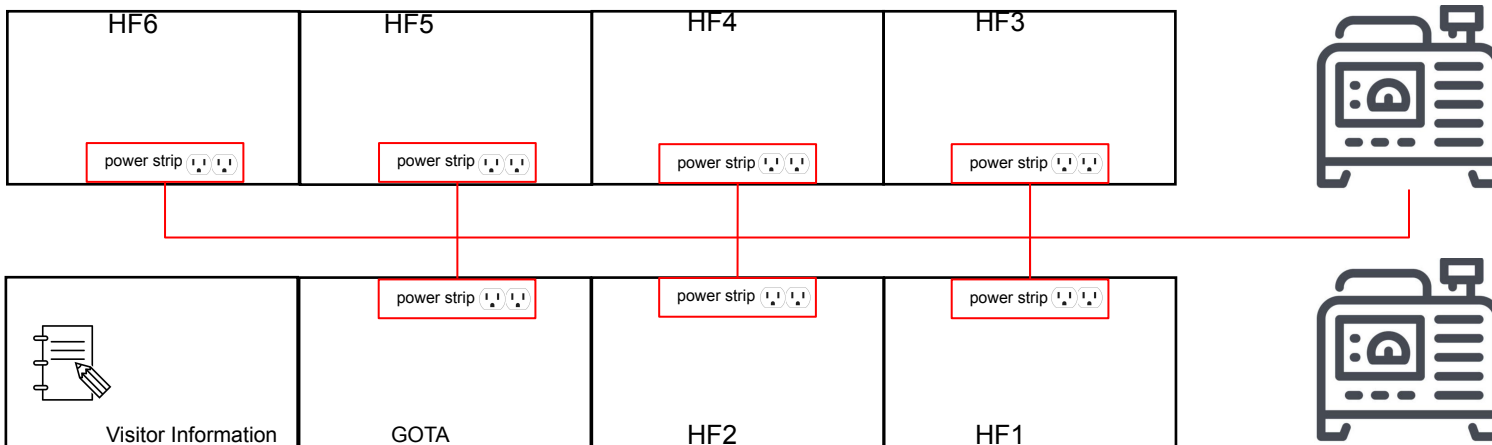


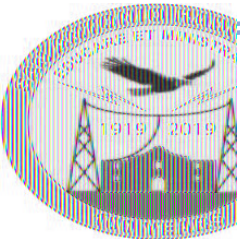


Power Distribution

Power cables and power strips will be provided to service the 6 HF stations and GOTA station.

Users to provide any additional power strips and converters to power their radios and equipment.

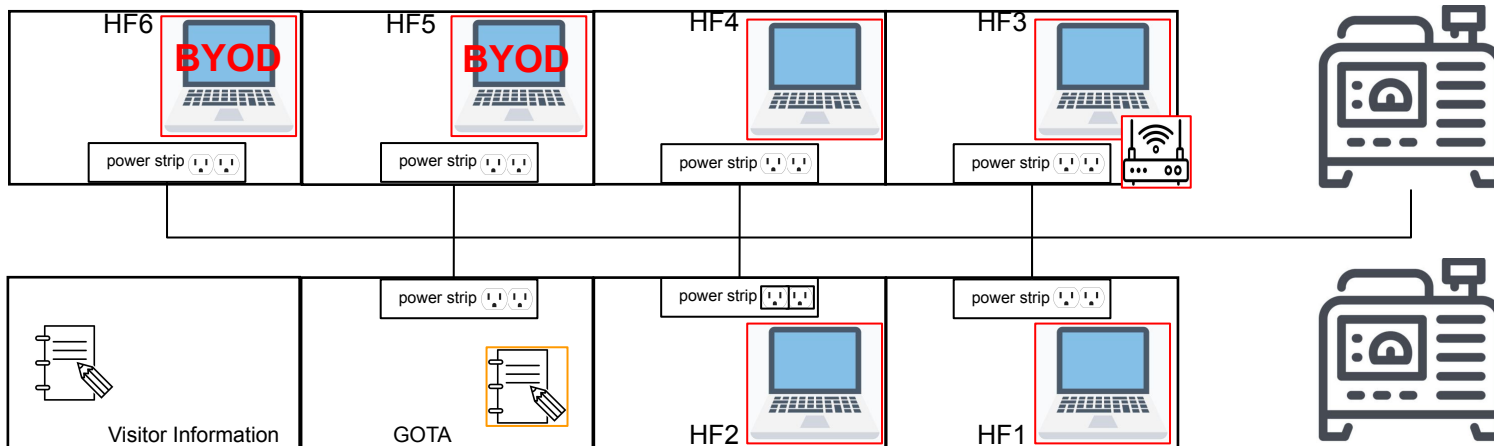




Logging

- 4 x Laptops will be provided & networked over WiFi while utilizing N3FJP for centralized logging*.
- 2 x BYOD PCs for logging under W5SC
- Operators to provide any additional computers for use of digital modes, such as FT8.

*GOTA is manual written logging

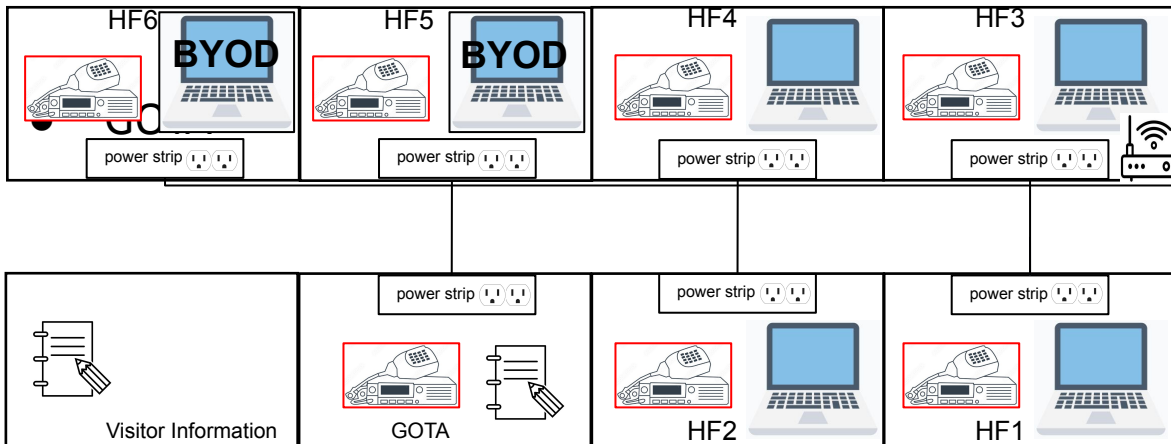


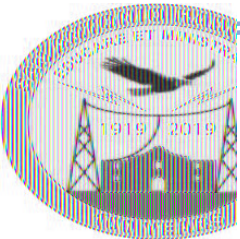


HF Radios

- HF1 – SARC XCVR on Beam antenna 10m/15m/20m*
- HF2 – Harold Fleischer AE5AS
- HF3 – Keith KD5JGD
- HF4 – Jim W4JM
- HF5 – Jon KI5CSK*
- HF6 – Mike K5VK*

* These stations will have various operators throughout Field Day





The Schedule



Saturday, June 22, 2024

8:00 am: Meet at 10660 W FM 78 Schertz to pull trailer, generators, and tower equipment out of storage

9:30 am: Set up antennas, generators, computers, and radios at Shavano Park

1:00 p. m: Start Radio Operations

6:00 pm: Blanco's BBQ Supper

Sunday, June 23, 2024

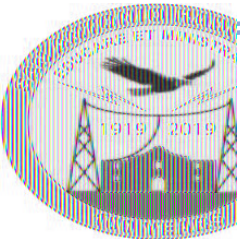
8:00 am*: Breakfast Tacos & Coffee

Late Morning: Start Tear Down of equipment no longer being used

12:00 pm: Leave Shavano Park for 10660 W FM 78 Schertz, TX

About 1:00 pm: Arrive at storage site.

About 2:00 pm: All equipment secure.



Load Lists

Saturday



Jon KI5CSK vehicle with trailer hitch:

Outside Trailer

- Trailer w 2 x Jacks and 3 x Blocks
- 1 x beam antenna w/ tower
- 1 x antenna rotor orange box
 - 2 x 2KW generators
- 1 x gen dolly (two generators)
- 4 x elect ext cords
- 1 x VHF/UHF MFJ-1522 vert ant
- 3 x pipe poles
- 1 x 10m dipole
- 5 x fire extinguishers & 2 x signs
- coax cable
- 4 x tie down straps
- 8 x 6' tables

Inside Vehicle

- rope and stake tub
- 2 x kitchen tubs & trash bags
- 1 x Jon's ice chest
- 4 x laptops, power strips
 - 1 x WiFi router
- 2 x SARC radios (HF, GOTA)

On Vehicle Rack

- 1 x 6' step ladder

John KJ5FIA

- 16 x chairs

TBD

- 1 x SARC ice chest
- 3 x bottled water
- 9 x 10lb bags of ice

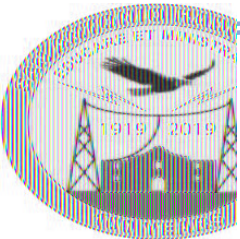
Harold AE5AS

- 1 x additional ice chest

Harold AE5AS

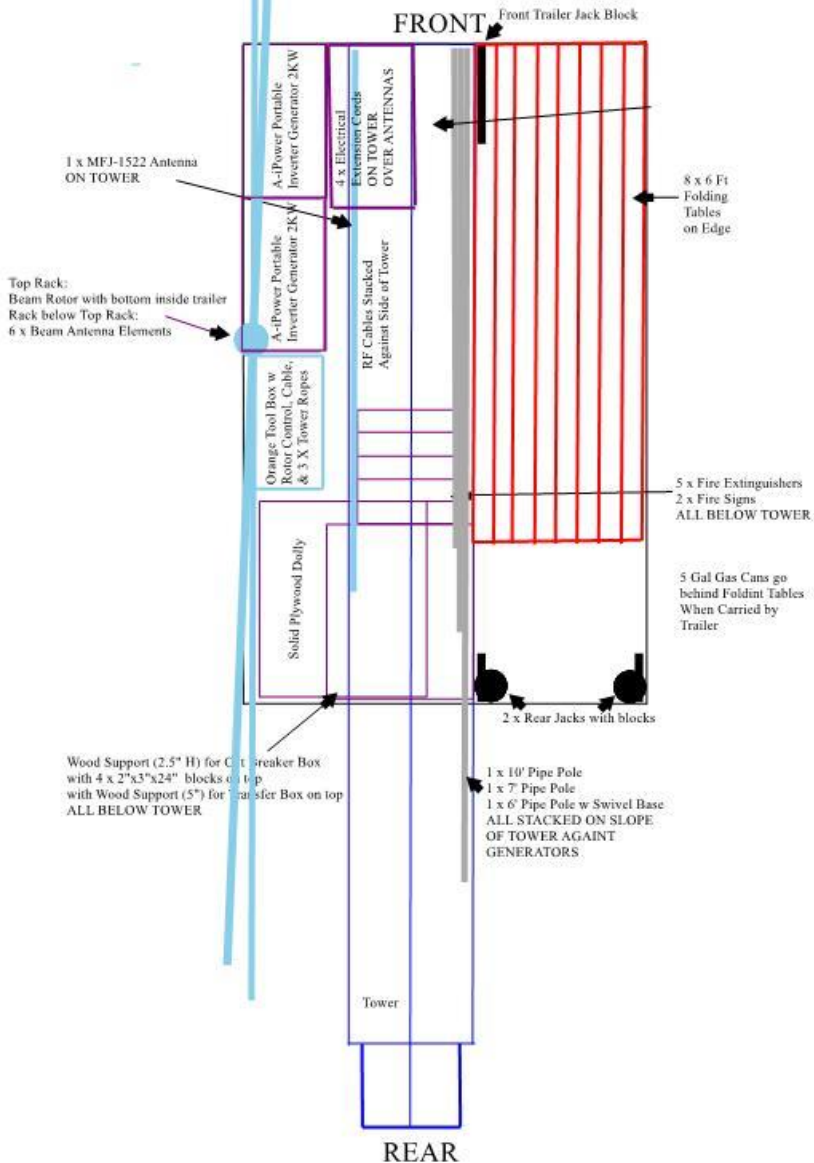
- 1 x 5 gas cans & fill w/ non-ethanol

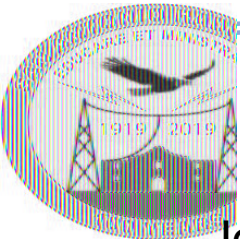
The Sunday loading list is the same as Saturday – just drive in a different direction.



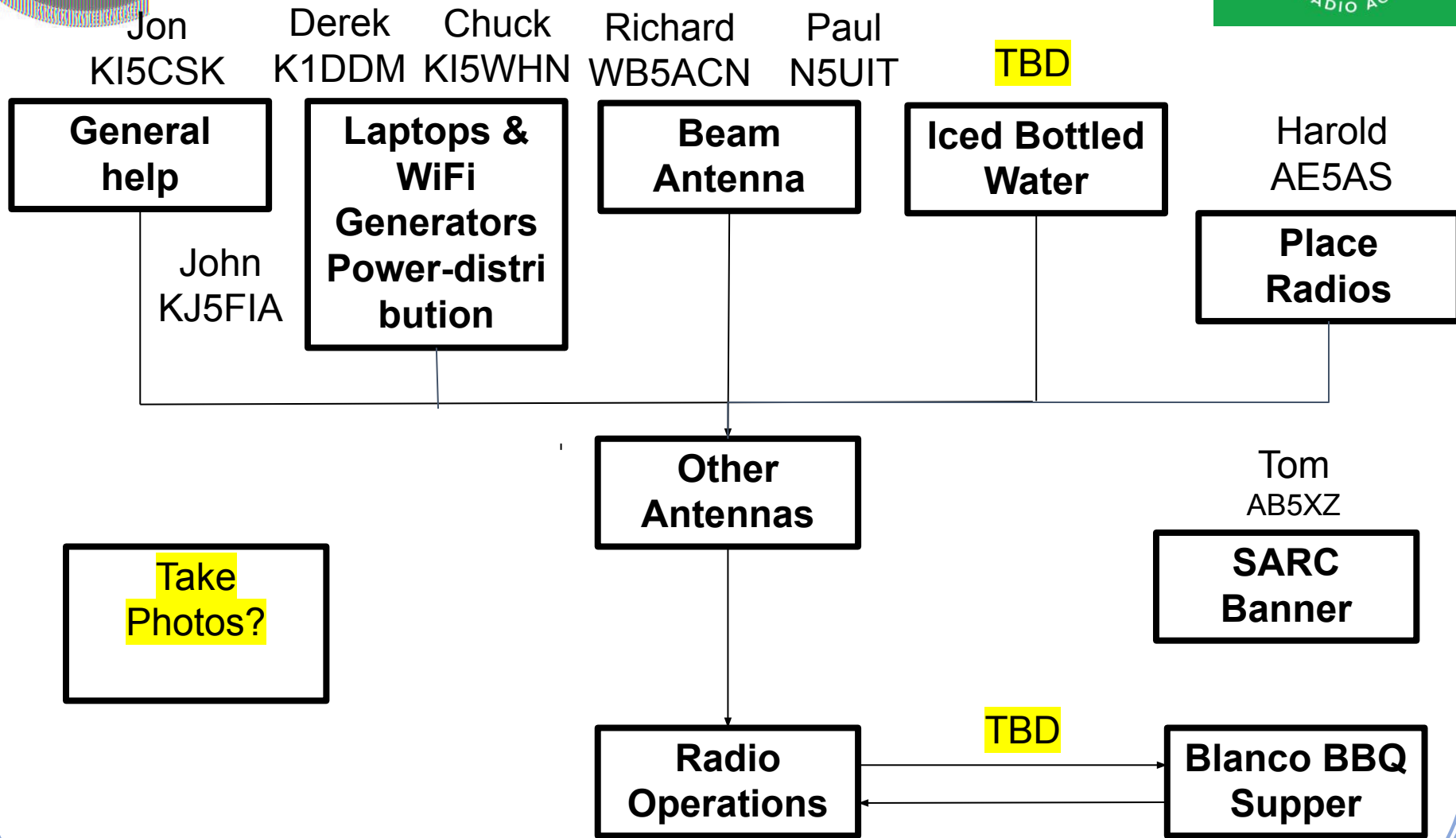
SARC TRAILER LOAD PLAN

Trailer Load Plan





Saturday Work Plan





Sunday Work Plan



Paul
N5UIT

Kelly
WB5MZT

Jon
KI5CSK

John
KJ5FIA

Harold
AE5AS

**breakfast
tacos/coffee**

Derek
K1DDM

**Remove
Radios**

Jon KI5CSK

Generators

**Close/pack
computers**

**Beam
Antenna**

**Take Down
Antennas**

**“Kitchen”
Clean Up**

**Load
Vehicles**

**Load
Trailer**

**Litter
Walk**

**Depart to
Storage**

NOTE: 1 x generator to stay in operation until beam antenna is down



Local Communications

- **Talk-in frequency (AA5RO Repeater) 147.380**

If you have UHF Hand Transceiver like the Baofeng BF-666S, we will use the following frequencies for internal communications:

- Primary Channel 9 (Simplex) 446.02500
- Alternate Channel 11 (Simplex) 446.07500



Communications Plan



- **Internal**

- Reports at Meetings
- Articles in Bexar Wire
- Extra Bexar Wire in June

- **External**

- Website Page and current issue of Bexar Wire
- Facebook and Twitter Posts
- News Release in June*
- Invitation Letter to the City of Shavano Park*

- **Information Station**

- Guest Book
- Visitor Brochure
- Proclamation by the Mayor of Shavano Park



Review of Objectives

- 1. Have Fun**
- 2. Eat Well**
- 3. Be Safe**
- 4. Operate Radios**
- 5. Learn & Experience**
- 6. ARRL Contest**



Questions?